



AWZ536 v1.1 LB5/5x0,5A/2,5/AW Fuse module



Edition: 8 from 10.04.2018
Supersedes: 7 from 06.10.2015

EN**

1. Description.

The **LB5/5x0,5A/2,5/AW** fuse module is designed for power distribution in low-voltage systems requiring voltage of **10V÷30V DC** or **10V÷24V AC** (e.g. buffer power supply, transformer etc.). It is fitted with the **IN** input for power supply and 5 independently protected **AUX1÷AUX5** power supply outputs. Each **AUX** output is equipped with short circuit protection (SCP): melting fuse **F** 0.5A or PTC 0.5A polymer fuse (the possibility of using 1A fuses, not supplied) as well as with overvoltage protection - varistors. Output state is indicated by 5 **L1 ÷ L5** LEDs. Fuse failure is indicated by turning off the appropriate LED: **L1** for **AUX1**, **L2** for **AUX2** etc. Additionally, in the case of failure, the **FPS** output (Hi-Z state) and the **L_{FPS}** LED are switched on. The **FPS** output can be used for remote control of a module e.g. external optical indication. The module is adapted for connection of cables with a maximum cross section of **2,5mm²**.

2. Module description.

2.1. Description of components and connectors of the module.

Element no. [fig. 2]	Description
[1]	L1 ÷ L5 green LEDs
[2]	F1 ÷ F5 fuses in the AUX (+) circuits
[3]	AUX1 ÷ AUX5 independently secured outputs, common terminal COM (-)
[4]	FPS failure technical output
[5]	IN, COM – module's power input
[6]	Mounting panel
[7]	L_{FPS} (red) LED indicating failure
[8]	Jumper for fuse - glass fuse/PTC

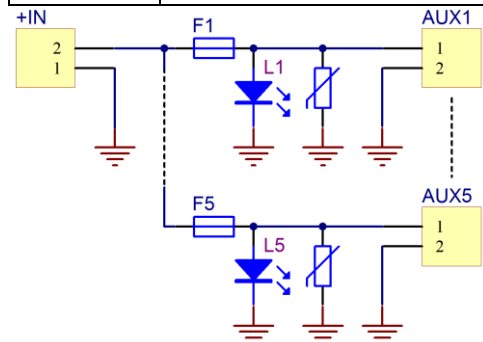


Fig. 1. Electrical diagram.

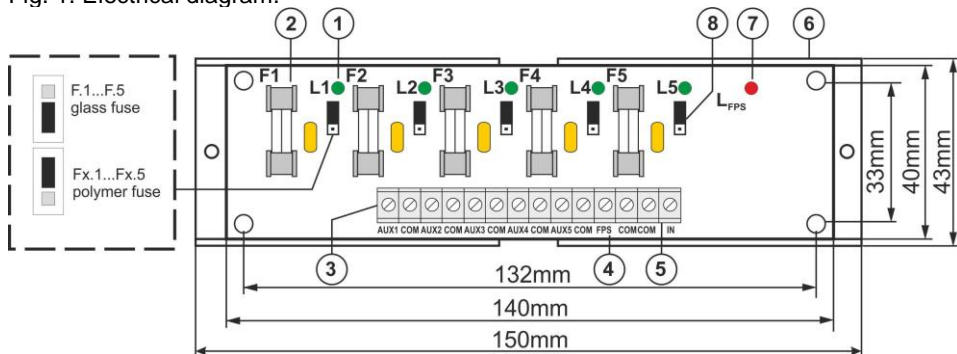


Fig.2. The view of the module.

3. Specifications.

Supply voltage	10V ÷ 30V DC (-2%/+2%) 10V ÷ 24V AC (-2%/+2%)
Output voltage	$U_{AUX} = U_{IN}$ (equal to supply voltage)
Current consumption	6mA ÷ 41mA @ $U_{in}=10 \div 30V$ DC 10mA ÷ 32 mA @ $U_{in}=10 \div 24V$ AC
Number of power inputs	1 (IN terminals) – max. 2,5mm² cable
Number of power outputs	5 (AUX terminals) – max. 2,5mm² cable
Protections against:	
- a short circuit SCP	- 5 x F 0,5A fuse or PTC 0,5A (the possibility of using 1A fuses, not supplied)
- an overload OLP	- varistors
- a surge	- varistors
LED indication	- green LED L1 ÷ L5 – status of the AUX1÷AUX5 outputs - red LED L_{FPS} – indicates failure
F1 ÷ F5 fuses	F 0,5A or PTC 0,5A
Operating conditions	II environmental class, -10°C ÷ 50°C
Dimensions	L=150, W=43, H=30 (+/-2mm)
Installation	A mounting panel with an adhesive tape, mounting screws x2 (holes 3mm)
Connectors:	
- power supply input/output, technical output	Φ0,51÷2,05 (AWG 24-12) 0,5 ÷ 2,5mm ²
Declaration, warranty	CE, 2 year from the production date
Net/gross weight	0,09kg / 0,12kg

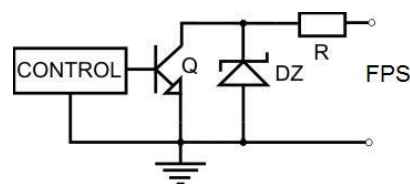


Fig.3. Electrical diagram of the OC output.

WEEE PARKING

According to the EU WEE Directive – It is required not to dispose of electric or electronic waste as unsorted municipal waste and to collect such WEEE separately.

Pulsar

Siedlec 150, 32-744 Łapczyca, Poland
Tel. (+48) 14-610-19-40, Fax. (+48) 14-610-19-50
e-mail: biuro@pulsar.pl, sales@pulsar.pl
http:// www.pulsar.pl, www.zasilacze.pl